

WELCOME TO THE FUTURE

THE WORLD'S #1 MODULAR SYSTEM
& #1 GRAPHICS CARRIER



T3
SYSTEMS

EXHIBITORLIVE



THE WORLD'S MOST INNOVATIVE AND VERSATILE DISPLAY SOLUTIONS

T3 Systems is a world leader in the design, manufacture and supply of high quality, modular display systems. Our various products are designed to provide the ultimate solution for every display need.

All our display frameworks are designed and created with the ideals that our motto *TWIST - LOCK - CONNECT* stands for: no tools assembly, easy storage and transportation, unlimited design flexibility, continuous innovation and unrivalled service.

We can help you every step of the way with your next project. Our experienced team provides support with 3D CAD, rendering, product demonstrations and pre-builds with installation options.

The combination of our quality products and services has led us to having a representative T3 distributor in over 40 countries around the world and establishing ourselves as an ultimate partner for the exhibition and display industry.

**TWIST- LOCK
CONNECT
NO TOOLS**



OUR PRODUCTS



T3 FRAME

THE ORIGINAL MODULAR FRAMEWORK SYSTEM

The patented modular, twist lock assembly makes T3Frame one of the most versatile and innovative display systems. Create simple or complex displays in a fraction of the time of other frameworks and without the need for tools or levers. A wide range of extrusions, profiles and accessories allow for unlimited design potential for graphics, AV integration and more.

T3 AFFINITY

A COMPLETE EXHIBITION & DISPLAY FRAMEWORK SYSTEM

The system provides unrivalled modularity with the ability to reconfigure & re-purpose displays quickly and efficiently. Unique features and benefits allow for eye-catching and dynamic solutions to be created in a fraction of the time and cost.

T3 WANDLITE

A REVOLUTIONARY 360° L.E.D TUBE LIGHT

The lightweight, unbreakable waterproof design makes this patented lighting solution one of the most versatile lights available in the industry. Easily installed in any structure, it emits a bright, white 360° light that will make any display stand out amongst your competitors.

T3 EASYCUBE

VERSATILE & LINKING

The innovative concept of T3Easycube allows for strong and lightweight structures to be created that can be used individually or in multiples. Structures are comprised of modular counters, plinths and towers of varying sizes. These can be combined and locked together to create an unlimited number of designs for every need

T3 LITEBOX

INNOVATIVE LIGHTBOXES

With a simple twist-lock assembly and modular design, this illuminated display can be built in a matter of minutes. Create any size, shape or configuration of litebox with this highly versatile solution.

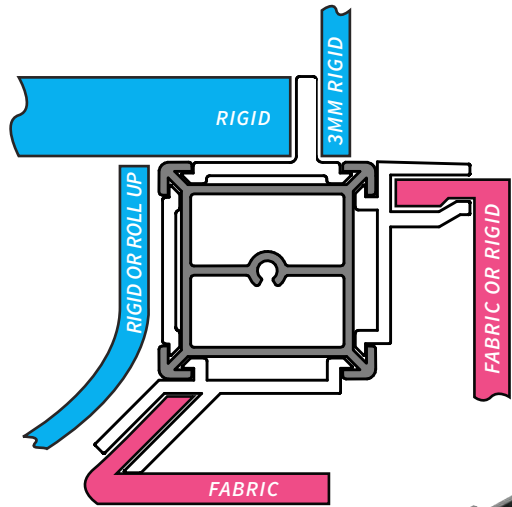
THE #1 FRAMEWORK SOLUTION

THE ULTIMATE FRAMEWORK SOLUTION

T3Frame has developed into one of the most versatile and innovative modular framework solutions available to the industry. With the patented No Tools assembly method and unlimited flexibility with media it allows for out of the box thinking when it comes to designing exhibition and event displays.

The solution can be used to make all manner of structures possible, meaning that if you **THINK IT**, we can **BUILD IT**.

ONE ALUMINUM PROFILE MULTIPLE OPTIONS



T3
FRAME



EASY TO TRANSPORT & STORE



CUSTOMIZABLE



NO TOOLS



FAST BUILD TIMES



LIGHTWEIGHT DESIGN



MODULAR COMPONENTS

THE #1 CURVE SOLUTION

T3Frame is the only modular framework that gives users the ability to create any size curve from 16" to 150" in diameter, enabling the frame to fit exactly to your requirements.

Curves can be fitted with a variety of mounting options allowing for complete graphic flexibility.



WIREFREE LITEBOX

THE FIRST TOOL & WIRE FREE LIGHTBOX SOLUTION

This innovative solution is the first ever lightbox product to have a no tools, plug free and wire free connection. The design builds on a 'wireless' connection between profiles and the connector. This means that the LED lights illuminate without the need for joining wires and plugs, making the solution quicker and simpler to assemble.

Adapted from the original and hugely successful product, the T3Litebox. It continues to provide users with unlimited versatility on size and orientation of display. Also combining it with T3Affinity posts gives access to a broad range of retro-fit accessories. Taking it from a dynamic graphic framework to a valuable multi-purpose display asset.



T3 ROLLER BAGS

All our standalone and standard T3Litebox displays can be packed into our compact, T3 Roller Bag. Improving transportation and storage.



MODULAR COMPONENTS



COMPACT CASES & BAGS



FAST BUILD TIMES



WIRE FREE



NO TOOL ASSEMBLY



PATENTS PENDING

T3 **TWIST-LITE**

i INFO

T3Litebox frames can be quickly altered into different orientations.



EXHIBITOR **LIVE**
NEW

PRODUCT SHOWCASE



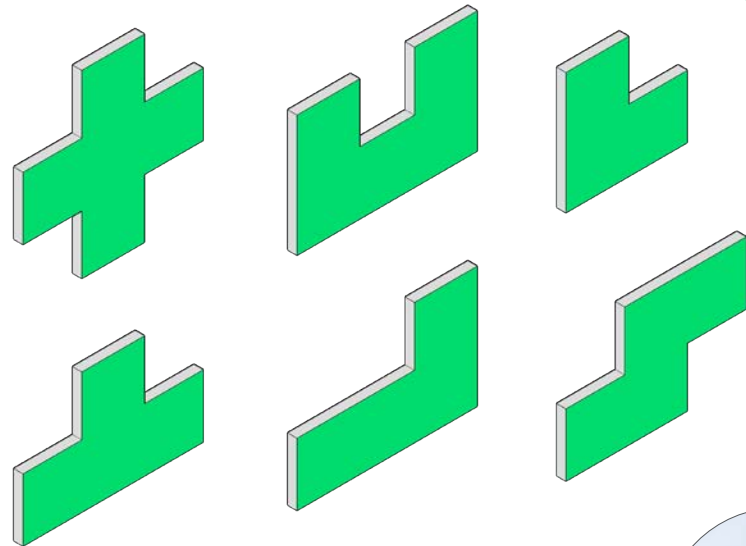
KEY FEATURE

From hotel to museum interiors, T3Litebox can be used to enhance your displays with bright graphics and multimedia driven accessories.

THE MOST VERSATILE LITEBOXES

FULLY CUSTOMIZABLE

Our lightbox solution gives users the ability to create any size of lightbox. T3Litebox profiles can be cut to any length from 0.4m to 3m in length. Our twist and lock assembly means that all T3Liteboxes are easy to transport, store and simple to assemble without the use of tools. Locating T3Affinity uprights to the sides of the Litebox enables product shelving, tablets and monitors to be attached. Also, screens can be fitted anywhere on the graphics. All shapes and sizes can be created; Truly a unique product.



..JUST SOME OF THE POSSIBILITIES



MODULAR COMPONENTS



COMPACT CASES & BAGS



FAST BUILD TIMES



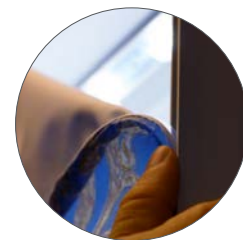
CUSTOM SIZES



NO TOOL ASSEMBLY



PATENTS PENDING



SILICON EDGING

The silicon edging of your textile graphics fits neatly and securely into our Litebox profile.

T3 LITEBOX

KEY FEATURE

T3Litebox internal corner allows for any shape of lightbox to be created. Do not confine your designs to conventional shapes.

FITTING SCREENS & TV'S

FITS ANY SCREEN - FLAT OR CURVED

Videos and animations often attract the attention of visitors better than static images. Also with a dynamic shift in the industry towards LED monitors and large scale digital screens, make sure that you are ahead of the curve with T3 Systems.

There are a broad variety of media options available when using the T3 modular framework solutions.

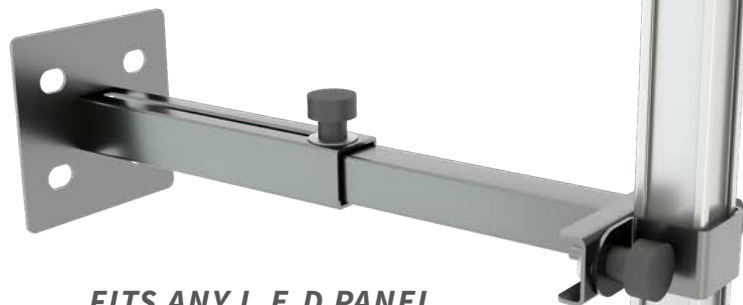
Our specially designed brackets and hooks allow for almost any size of digital screen to be integrated into a display flawlessly. Also with the movement towards curved tv monitors, our modular frameworks can be perfectly adapted to incorporate this technology as well.

SMALL / LARGE TABLET HOLDERS

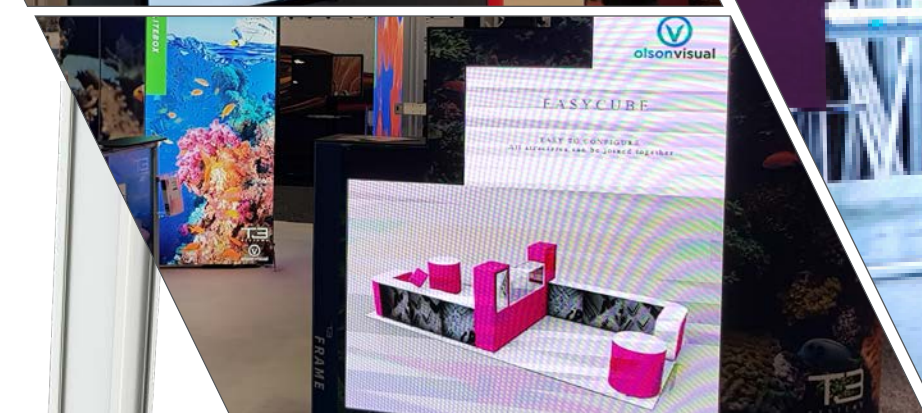
ADJUSTABLE HOOKS



FITS ANY L.E.D PANEL



T3 FRAME



KEY FEATURE

Easily mount multiple LED panels to create large scale digital screens for every event.



POLE & PANEL VERSATILITY

A CREATIVE SOLUTION FOR BOOTHS

We have developed a fast assembly, no tools solution for booths and displays. A great solution to replace Pipe and Drape and also to present a futuristic, high tech image for your client. Using single and double-sided rigid graphics, plus many retro-fit accessories that allow you to maximise on a 10 x 10 floorplan.



EASY TO TRANSPORT & STORE



MODULAR COMPONENTS



FAST BUILD TIMES



NO TOOLS



CUSTOMIZABLE



RETRO FIT ACCESSORIES

T3 AFFINITY



SHELL KIT

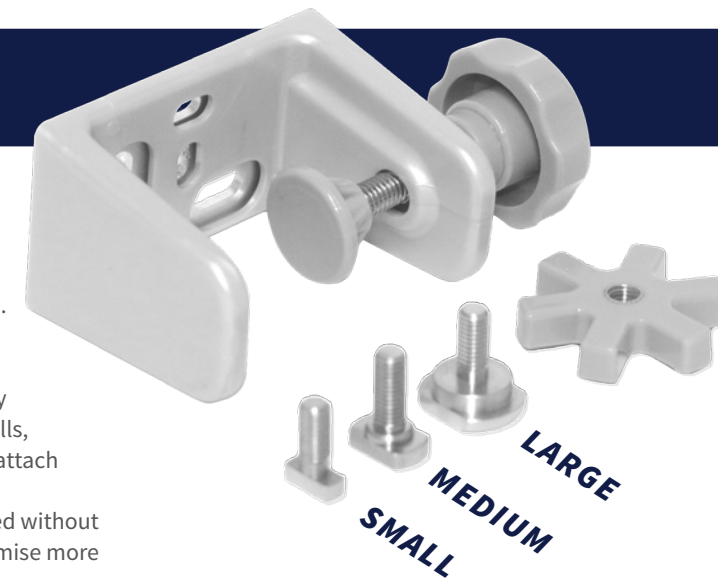
DRAMATICALLY IMPROVE POLE & PANEL DISPLAYS

By utilising a specially designed T3 clamp, it allows for T3Frame & T3Litebox to be fitted to ANY pole and panel stand.

This no tools solution allows you to fit fabric, semi-rigid or rigid panels to an existing structure. Increasing its longevity and vastly improving the look, especially if they are illuminated. Also, the panels are attached to the walls, maximising floor space. There is a fitting available to attach the shell kit clamp to the T3Affinity profile.

Full length walls or floating wall panels are attached without a large foot print, therefore allowing you to maximise more space on the booth.

Shell Kit is a far cheaper, easier solution than pop up and a better-looking option than posters or banner stands. Upgrade and improve quickly and cost effectively from your existing pole & panel system.

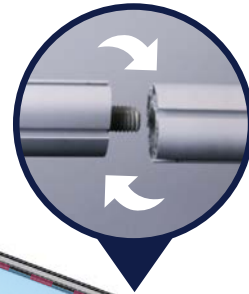


SEAMLESS JOINERS

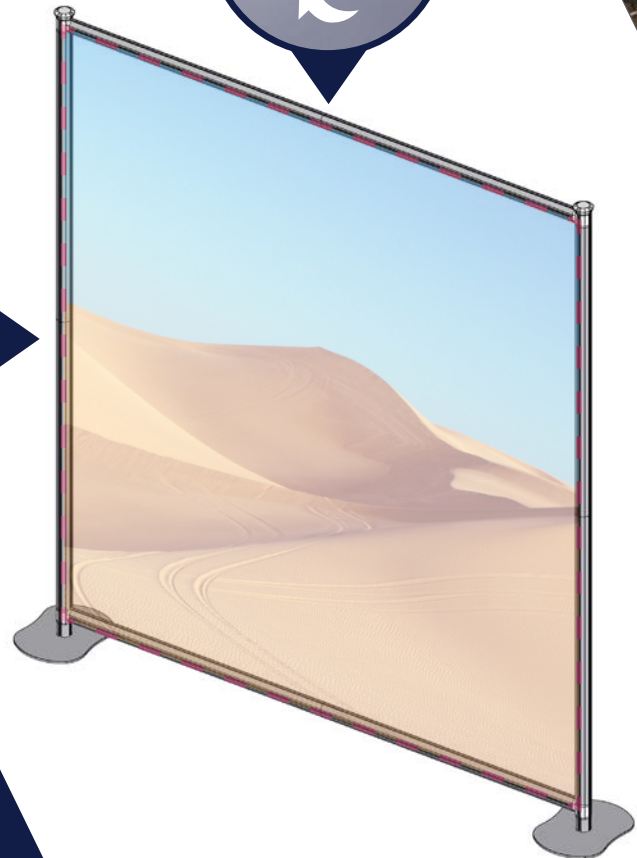
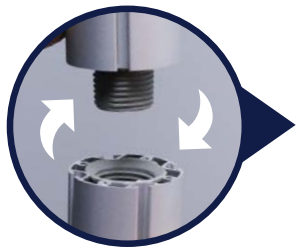
SIMPLE TWIST ASSEMBLY

The T3Affinity central beam and post joiners are a highly effective solution to enable long lengths of aluminum profiles to be divided into 2 or 3 sections and transported, reducing freight and storage costs. Then locked together on-site to create uninterrupted tube lengths of up to 12 feet. The booth and displays are assembled using the tool free twist method, ensuring fast and easy assembly.

BEAM



POST



T3
AFFINITY

EASY FIT FABRIC GRAPHICS

EASY FABRIC GRAPHIC MOUNTING

Created to allow for fabric graphics to be fitted quickly and easily using T3Affinity horizontal beams.

The seamless joiners allow large fabric panels to be fitted easily to the horizontal beams using a plastic flexible rod sewn inside a fabric sleeve at the top and bottom of the fabric panel. Single sided and double sided panels can be attached.

The structure can be coupled with a broad range of T3Affinity's retro fit accessories to create a multi-functional display.



ILLUMINATED WALLS

THE VIRTUALLY UNBREAKABLE, 360°, BRIGHT, WHITE LIGHT.

T3Wandlite our own specially designed lighting solution, is unique because of its patented 360 degree light. This means you can easily illuminate towers, single and double sided walls and counters. It's virtually unbreakable, which makes it especially valuable in the exhibition and display industry. It's also very cost effective and simple to fit. T3Wandlite is independently tested to IP65, as its waterproof it can be used in exterior applications.



360° LIGHTING



UNBREAKABLE



SIMPLE TO INSTALL



SIMPLE TO POWER



ECO-FRIENDLY



WATERPROOF & DUSTPROOF

PLUG & DISPLAY

i INFO

T3Wandlite can be supplied in custom sizes from 18inches to 8feet.

T3 WANDLITE

KEY FEATURE

The T3 Wandlite has mounting accessories that are compatible with all T3 framework systems.

COUNTERS, PLINTHS, TOWERS

A DIVERSE RANGE OF STRUCTURES FROM JUST A FEW COMPONENTS

Created using the T3Easycube system, the units are lightweight, cost effective and allow users to have the utmost versatility and flexibility when it comes to the displays and messages they are looking to portray.

The key to T3Easycube's versatility lies in the individual standard structures which makes up its range. Comprised of counters, plinths and towers that all can be interchanged and locked together to make unlimited combinations of display structures that can be clad with semi-rigid or fabric graphics.



MODULAR COMPONENTS



STRONG



NO TOOLS



RECONFIGURABLE



EASY TO TRANSPORT & STORE



FAST TO BUILD

T3 EASYCUBE

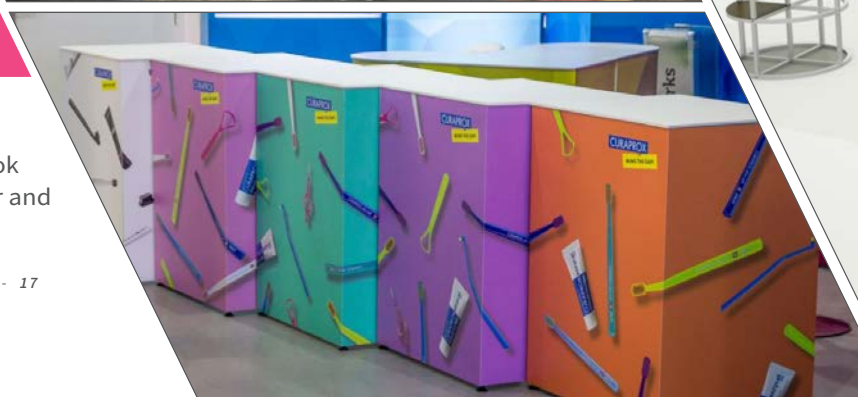
& DISPLAY UNITS

ADJUST & CLAMP

i INFO

The tube clamp allows for simple joining of structures. Simply hook two profiles together and clamp shut

T3 SYSTEMS BY TECNA DISPLAY - 17



T3 SYSTEMS BY TECNA DISPLAY - 18

EVENT FURNITURE & FLOORING

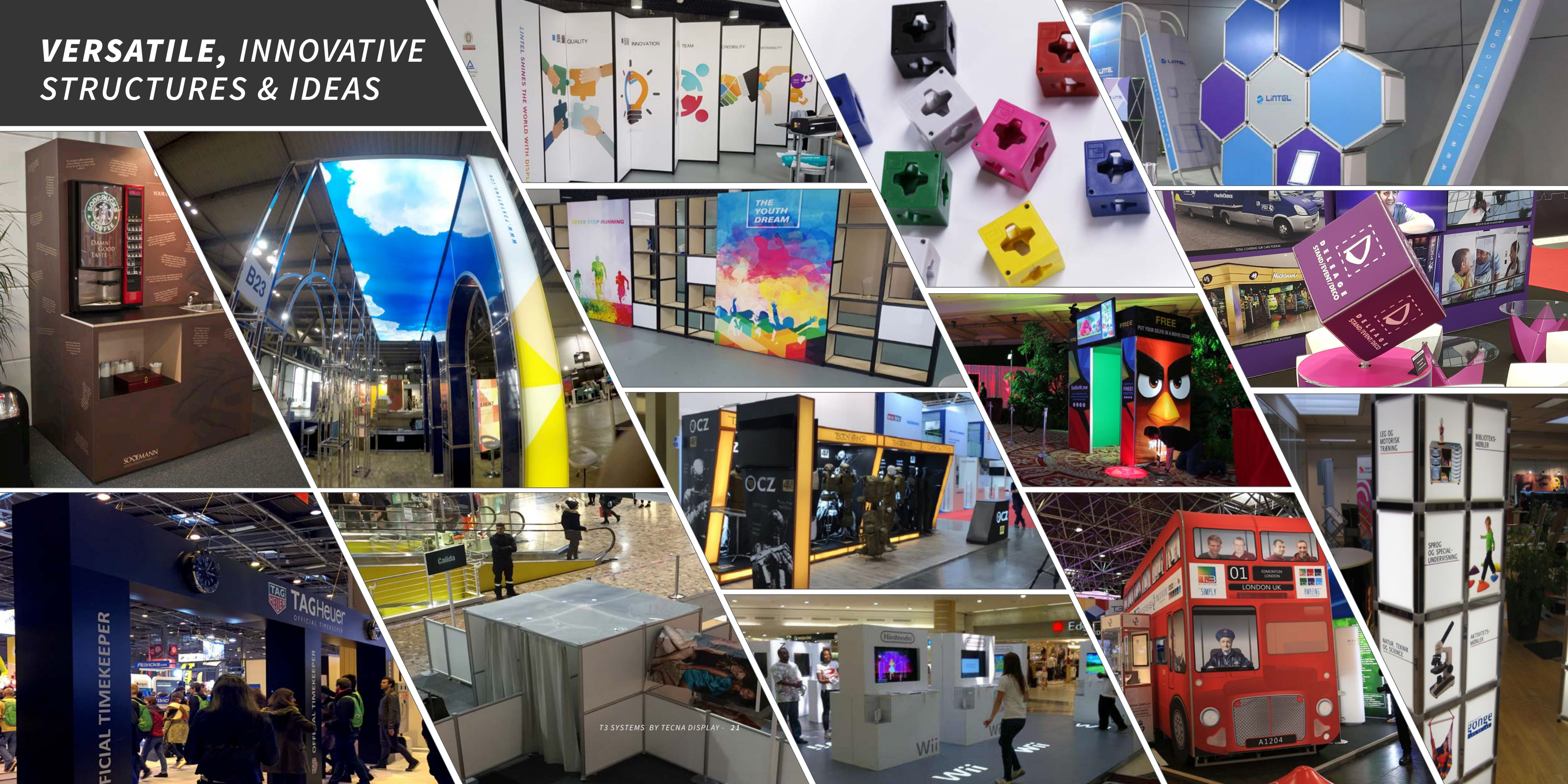
CUSTOM EVENT FURNITURE FOR EVERY OCCASION

PortaDecor from Long Island, New York have taken the T3 System to another level. Utilising the flexibility and inherent strength of T3, they have developed a fantastic range of strong, great looking modular furniture, counters, bars and other structures.

FREESTANDING STRUCTURES



VERSATILE, INNOVATIVE STRUCTURES & IDEAS



GET IN TOUCH



EMAIL

sales@tecnadisplay.com

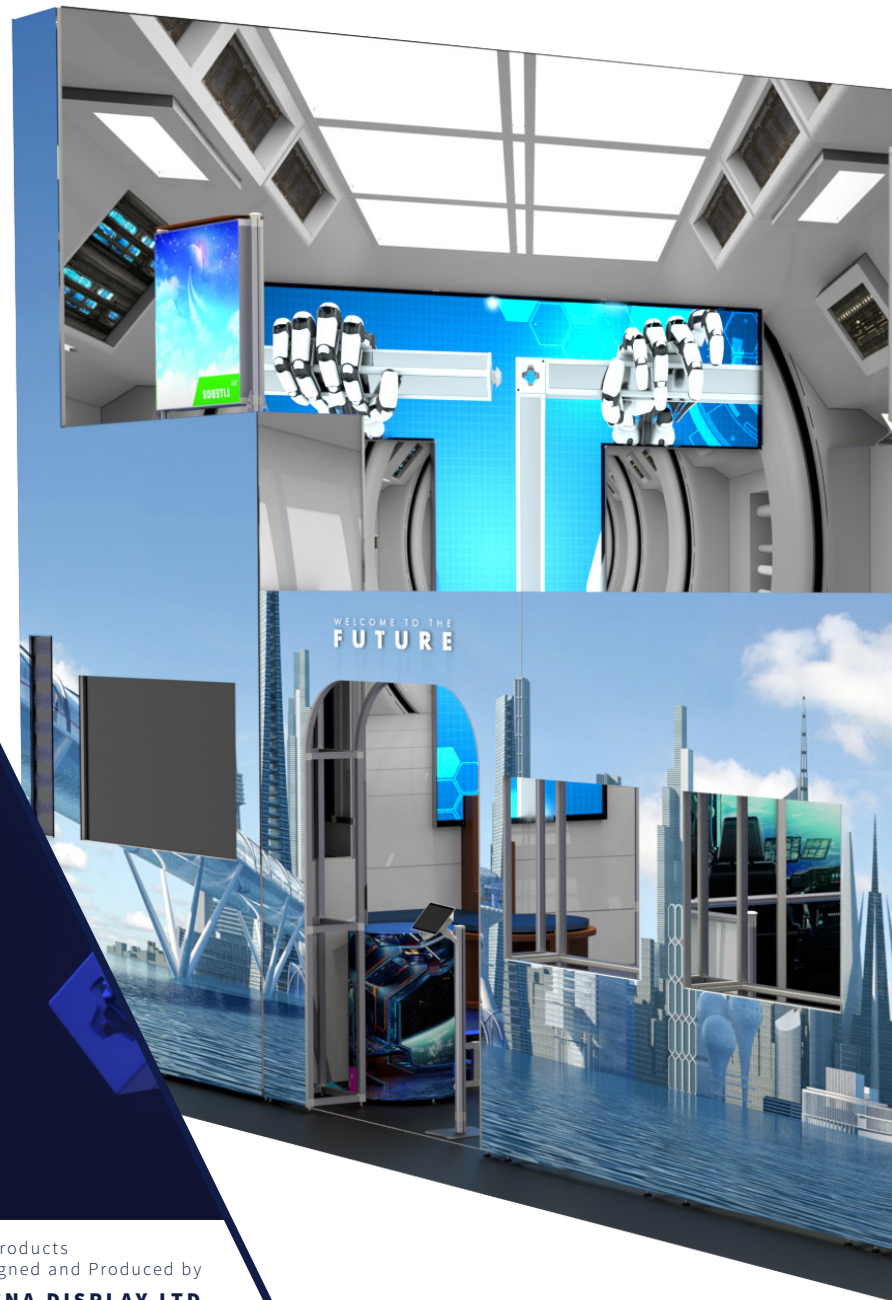


CALL

UK OFFICE: +44 (0)208 803 4469
USA OFFICE: +1 (310) 299-2789



WWW.T3SYSTEMS.COM



T3
SYSTEMS



All products
Designed and Produced by
TECNA DISPLAY LTD